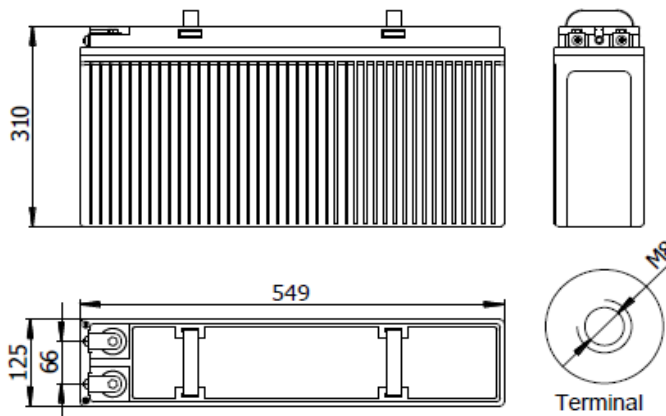


Rated voltage: 12 V **Capacity:** 125Ah C₁₀ at 25°C(77°F) to 1.80V per cell

- * Designed service life of 12+ years
- * World-wide compatibility
- * Easy maintenance with low operation cost
- * Easy installing and parameters readings
- * Wide operation temperature range
- * Superior low current discharge performance
- * Better safety performance and reliability
- * Modular and installation design
- * Environmental friendly

Size: 549x125x310mm

Weight: 42 kg



Application:

Telecommunication
 UPS
 Solar and wind power system
 Electric power, nuclear power
 Marine

Company Certificates

ISO 9001:2009
 ISO 14001:2005
 OHSAS 18001:2008



Technical details

| | | | |
|---------------------------------------|-----------------------------|-------------------------------|------------------------------------|
| Max discharge current: | 937A (5sec) | Self-discharge: | less than 8% 90 days @ 25°C (77°F) |
| Internal resistance (charged): | 3,8mΩ@ 25°C(77°F) | Max charge current: | 25A |
| Temperature range | | Charge voltage at 25°C | Float: 2.23V, Cycle: 2.35V |
| Application temperature: | -40°C ~ 50°C(-40°F ~ 122°F) | Terminal output: | M6 |
| Storage: | -20°C ~ 40°C(-4°F ~ 104°F) | Container | ABS |
| Charge: | -20°C ~ 45°C(-4°F ~ 113 °F) | | |
| Temperature compens.factor: | -3 mV/°C | | |

Temperature effect on battery capacity: 105 % @ 40°C; 85 % @ 0°C; 60 % @ -20°C

Discharge current (A/25°C, 77°F):

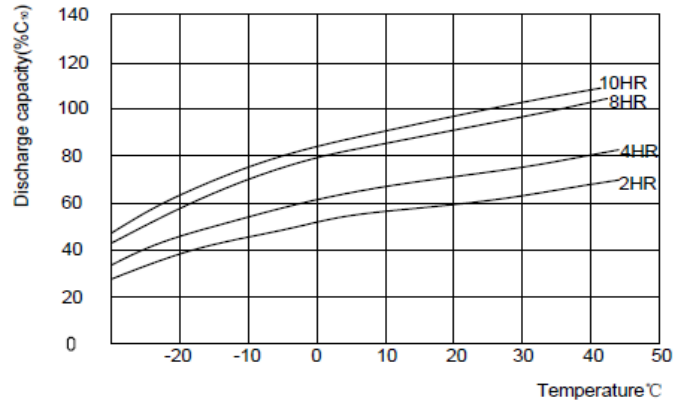
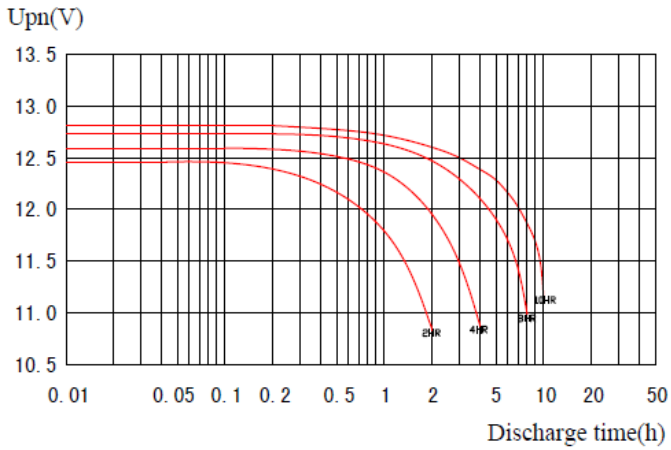
| End Voltage | 30min | 1hr | 2hr | 3hr | 4hr | 5hr | 6hr | 8 hr | 10 hr | 12hr |
|-------------|-------|------|------|------|------|------|------|------|-------|------|
| 1,70 | 136,1 | 75,9 | 49,6 | 37,1 | 30,4 | 23,0 | 19,6 | 15,9 | 13,1 | 11,0 |
| 1,75 | 128,8 | 73,4 | 49,0 | 36,4 | 29,9 | 22,8 | 19,5 | 15,8 | 13,0 | 10,9 |
| 1,80 | 121,8 | 71,8 | 48,4 | 35,6 | 29,4 | 22,4 | 19,3 | 15,6 | 12,9 | 10,8 |
| 1,83 | 116,3 | 68,9 | 47,9 | 35,1 | 29,1 | 22,1 | 19,1 | 15,5 | 12,8 | 10,6 |
| 1,85 | 112,4 | 66,9 | 47,4 | 34,8 | 28,9 | 22,0 | 19,0 | 15,4 | 12,6 | 10,5 |

Discharge power (W/25°C, 77°F):

| End Voltage | 30min | 1hr | 2hr | 3hr | 4hr | 5hr | 6hr | 8 hr | 10 hr | 12hr |
|-------------|-------|-------|------|------|------|------|------|------|-------|------|
| 1,70 | 246,8 | 140,9 | 94,9 | 73,1 | 61,0 | 45,6 | 39,4 | 31,5 | 26,3 | 21,9 |
| 1,75 | 236,5 | 138,4 | 94,4 | 72,0 | 60,1 | 45,3 | 38,9 | 31,3 | 26,0 | 21,8 |
| 1,80 | 226,3 | 136,9 | 93,9 | 70,9 | 59,4 | 44,8 | 38,5 | 31,1 | 25,9 | 21,5 |
| 1,83 | 219,0 | 131,6 | 93,1 | 70,3 | 58,9 | 44,5 | 38,3 | 31,0 | 25,6 | 21,4 |
| 1,85 | 214,0 | 129,1 | 92,8 | 69,9 | 58,5 | 44,3 | 37,9 | 31,0 | 25,4 | 21,3 |

Discharge curves

Temperature and capacity relation



Selfdischarge at different temperature

Constant voltage charge characteristic

