



# 6FG 134R

## 12V 134Ah

### SEALED LEAD ACID BATTERY

#### Specifications

Nominal Voltage		12V
Rated Capacity (20 hour rate)		134Ah
Dimensions	Total Height (with terminals)	10.9 inches (277mm)
	Height	10.7 inches (273mm)
	Length	13.5 inches (342mm)
	Width	6.77 inches (172mm)
Weight		Approx.93.71lbs (42.5Kg)

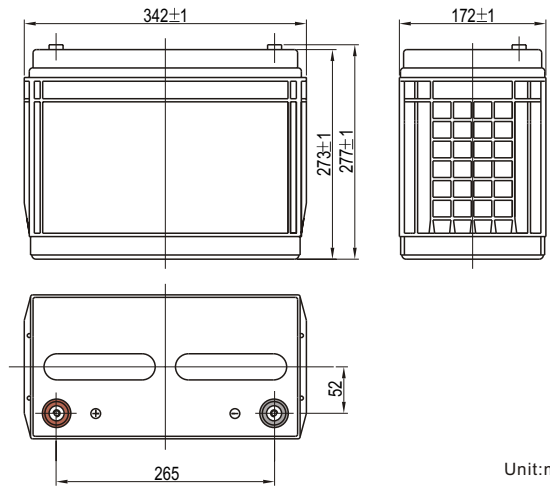
#### Characteristics

Capacity* 77°F(25°C)	20 hour rate (6.7A)	134Ah
	10 hour rate (12.9A)	129Ah
	5 hour rate (20.6A)	103Ah
	1 hour rate (77.0A)	77Ah
	15 minute Rate (228A)	57.0Ah
Internal Resistance	Full charged Battery 77°F(25°C)	3.8mΩ
Capacity affected by Temperature (20 hour rate)	104°F(40°C)	102%
	77°F(25°C)	100%
	32°F(0°C)	85%
	5°F(-15°C)	65%
Self-Discharge 68°F(20°C)	Capacity after 3 month storage	90%
	Capacity after 6 month storage	80%
	Capacity after 12 month storage	60%
Max. Discharge Current 77°F(25°C)	950A (5s)	
Terminal		F15
Charge (Constant Voltage)	Cycle	14.4-14.7V/77°F(25°C) Max. Current 40.2A
	Float	13.6-13.8V/77°F(25°C)

#### Constant power discharge ratings-watts per cell at 25°C(77°F)

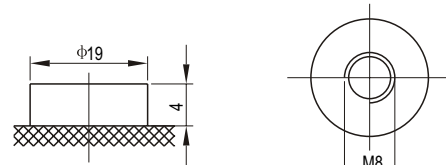
End Point Volts/Cell	5min	10min	15min	30min	45min	1h	2h	3h	5h
1.60V	670	531	393	266	178	140	97.1	64.7	41.5
1.65V	633	498	372	252	170	132	95.0	63.2	41.0
1.70V	592	470	354	240	152	120	91.4	62.1	40.4
1.75V	561	446	338	230	133	112	88.6	59.6	40.0
1.80V	520	400	302	207	118	107	84.3	58.7	39.2

\*The above data are average values, and can be obtained within 3 charge/discharge cycles. These are not minimum values.



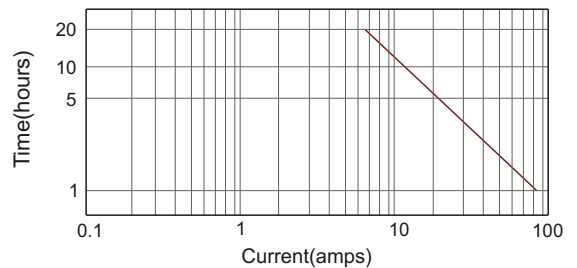
Unit:mm

#### Terminal (F15)



Unit:mm

#### Discharge current v's time 77°F(25°C)



#### Discharge characteristic (25°C)

